

From engineering to production, this collection has all the professional-grade tools needed to help your entire team carry out their best work.

DESIGN & ENGINEERING

ADVANCED SIMULATION

2.5- TO 5-AXIS CAM

FACTORY DESIGN



Inventor Professional



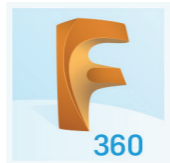
Nastran In-CAD



HSM



Nesting Utility



Fusion 360



AutoCAD



AutoCAD Mechanical



AutoCAD Electrical



Factory Design Utilities



AutoCAD Architecture



Navisworks Manage



ReCap Pro



3DS Max



Vault

Your best work. Our best Inventor.

Everything you need

Run your entire product development process with an end-to-end solution that includes 2D & 3D design, advanced simulation, 2.5 - 5-axis CAM, factory layout, and more.

The power of workflows

Center all your work around your Inventor data with integrated CAD, CAE, and CAM. Connect seamlessly with specialized applications to create a complete product definition.

Now, and into the future

Access the latest capabilities as soon as they're available; whether it's continual enhancements to the products you use today or incorporating new, cloud-based technologies like Fusion 360 into your workflow.

The Product Design and Manufacturing Collection includes key products such as **Inventor Professional**, **AutoCAD**, **Nastran In-CAD** and **HSM** in addition to other software included. Go to [www.autodesk.com/productdesign](http://www.autodesk.com/productdesign) to see the full list of products included in the Product Design & Manufacturing Collection.

Executive

Driving better outcomes

Get more for your money

Take advantage of significant cost savings when purchasing multiple Autodesk software solutions as part of a collection.

Support your business today and into the future

Stay ahead of changing business needs with access to a wide selection of the most essential Autodesk software used in your industry – while enjoying a steady stream of new releases and product enhancements for improved workflows.

Manage operational costs more effectively

Reduce operational costs (IT and procurement spend) by standardizing on a collection of technology flexible enough to suit the needs of a majority of your users.

IT Manager

Smarter software management

Simplify software management

Streamline deployment and software management with a standardized collection of Autodesk products and services.

Streamline the procurement process

Eliminate additional paperwork and unnecessary procurement cycles by selecting a collection that includes all the technology your users will need – now and in the future.

Optimize IT spend

Take advantage of significant cost savings when purchasing multiple Autodesk software solutions as part of a collection – giving your users access to more technology while reducing IT costs.

ImageGrafix Software FZCO

206 JAFZA View 18, P.O. Box 61425, Dubai, United Arab Emirates

Tel +971 4 - 880 0857, Fax +971 4 - 880 0858

Email: [imagegrafix@eim.ae](mailto:imagegrafix@eim.ae) & [cadcam@eim.ae](mailto:cadcam@eim.ae)

Web: [www.image-grafix.com](http://www.image-grafix.com)

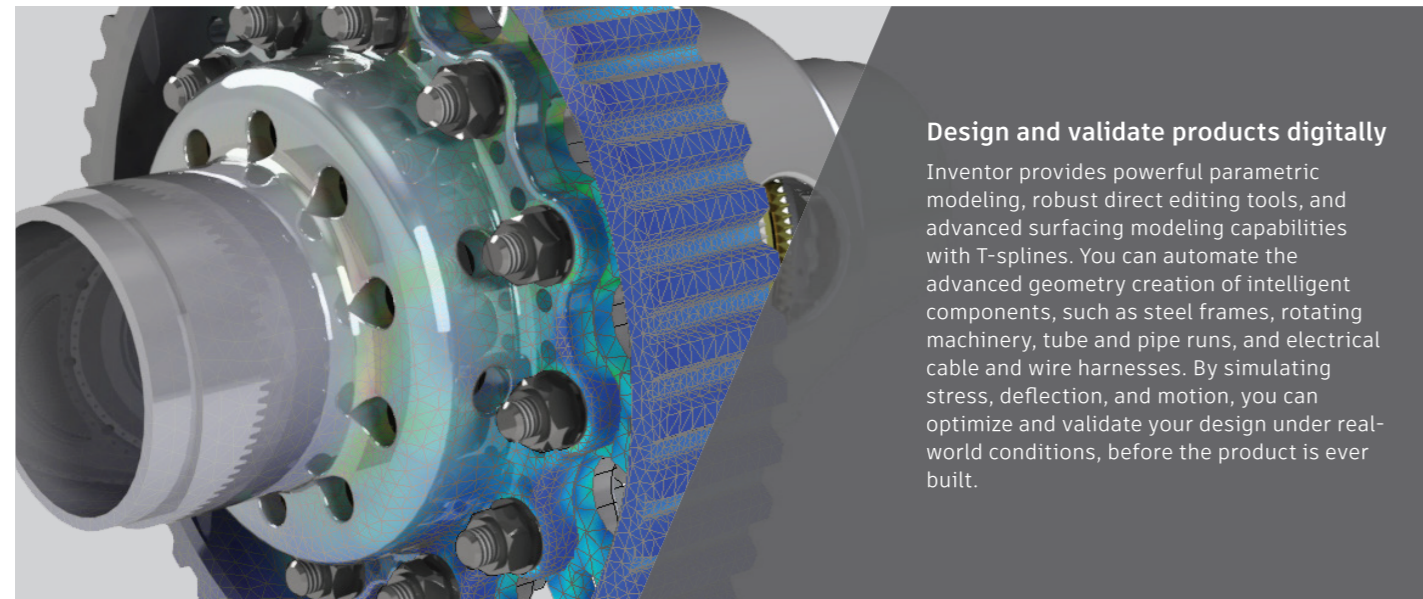


# Deliver innovative products faster

Autodesk Inventor® software provides professional-grade engineering solutions for 3D mechanical design, simulation, tool creation, and design communication that help you to make great products, cost-effectively, in less time. Inventor is the foundation of the Autodesk solution for product development. The Inventor model is an accurate 3D digital model that enables you to validate the form, fit, and function of a design as you work, minimizing the need to test the design with physical prototypes.

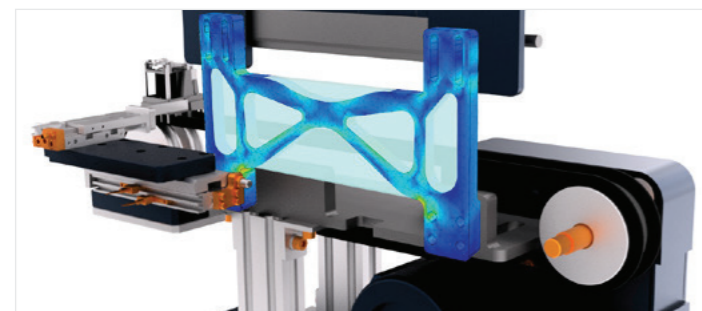
## Facing these challenges?

- Increase innovation while reducing time to market
- Repurpose existing DWG™ design data
- Prepare non-native CAD models for new designs
- Optimize product performance while minimizing physical prototypes
- Rapidly create production-ready drawings for manufacturing
- Reduce time spent searching for designs for reuse
- Piping and wiring designs take too long to develop
- Multiple CAD systems for design and manufacturing
- Automate processes to satisfy demands for mass customization



## Design and validate products digitally

Inventor provides powerful parametric modeling, robust direct editing tools, and advanced surfacing modeling capabilities with T-splines. You can automate the advanced geometry creation of intelligent components, such as steel frames, rotating machinery, tube and pipe runs, and electrical cable and wire harnesses. By simulating stress, deflection, and motion, you can optimize and validate your design under real-world conditions, before the product is ever built.



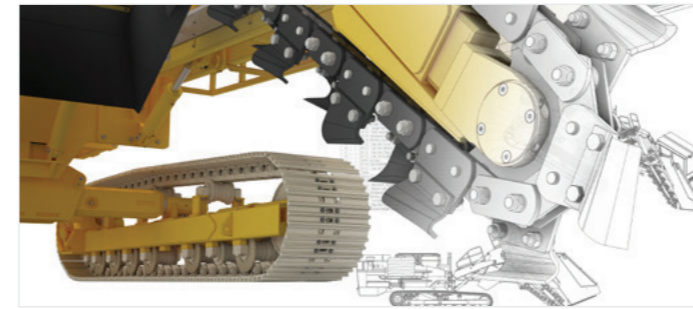
## Create the best design possible

Inventor includes topology optimization tools for the optimization and lightweighting of your design. Shape generator provides an intelligent strategy for coming up with the best design possible by removing unnecessary geometry from your model that doesn't contribute to the overall stiffness. It is based on loading conditions and the target weight requirements for your design.



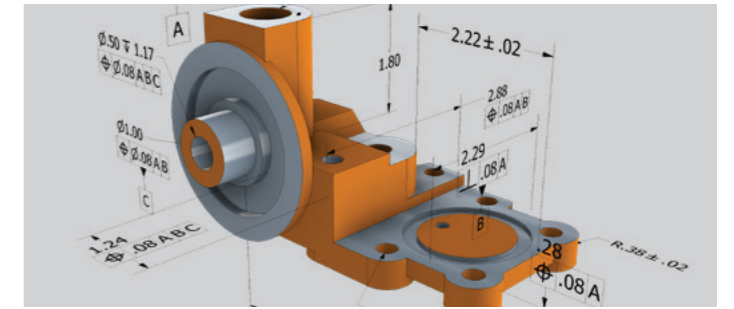
## Improve design collaboration and communication

Inventor is tightly integrated with Autodesk® Vault, enabling the efficient and secure exchange of design data and promoting early collaboration between design and manufacturing workgroups. AnyCAD technology enables collaboration in a multi-CAD environment by providing an associative connection with STEP, CATIA, SolidWorks, NX, Solid Edge, PTC Creo, Wildfire, Autodesk Alias, and AutoCAD directly to Inventor without file translation.



## Integrated 2D and 3D design

With Inventor, you can easily integrate AutoCAD® and 3D data into a single digital model to create a virtual representation of the final product. Inventor helps you realize the benefits of 3D product development by providing an associative link to native DWG files that ensures accuracy in your design. Utilizing valuable DWG data with Inventor can help you compete more effectively, service your clients better, and make great products.



## Tools for digital manufacturing

There is a growing demand for engineering organizations to get design data to manufacturing more efficiently. Inventor provides model-based definition for adding all necessary fabrication instruction information directly to the 3D model. This eliminates the need for a traditional 2D drawing used by CNC programmers for tolerances and surface finish on the design.

## 10 reasons to choose Inventor

- Shape generator helps to promote the best design possible
- Open and connected workflow for non-native Inventor data
- Flexible modeling tools include parametric and free-form
- Large assembly and drawing performance
- Rules-based design and automation tools to accelerate design
- Advanced visualization, illustration, and animation tools
- Automated and associative bill of materials
- Robust motion simulation and stress analysis tools
- Design tools for routing rigid pipes, bent tubes, and flexible hoses
- Provide fabrication information directly to your 3D model

Learn more at [autodesk.com/products/inventor/overview](https://autodesk.com/products/inventor/overview)

“The performance improvements in drawing view creation alone has the potential to save us an astounding 40% or more. This is a significant factor when taking into consideration everything from cost to schedule.”

—Craig Breckenridge  
TMT Lead Designer  
Dynamic Structures

